

AIR BEARING DICING SPINDLE RANGE

11300

TOP SURFACE MOUNTING

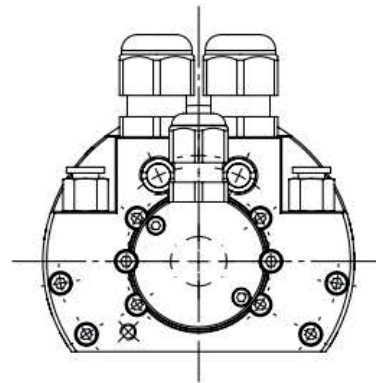
CW/CCW ROTATION AVAILABLE

ALTERNATIVE MOUNTING
ARRANGEMENTS AVAILABLE

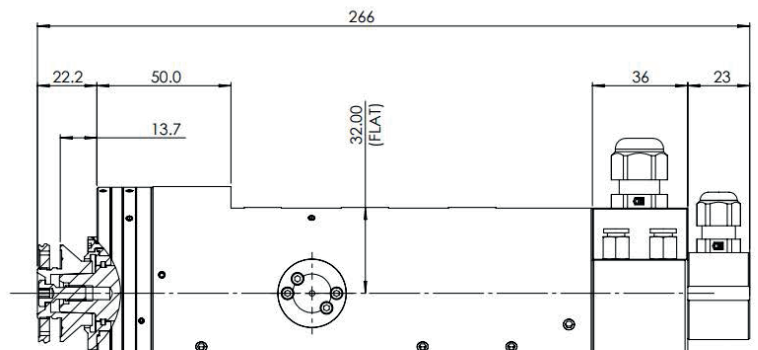
WATER COOLING

Speed Range	60,000 rpm
Motor Power Options	1.2kw, 1.6kw, 1.9kw
Air Supply Pressure	5.5 bar
Bearing Air Consumption	80 l/min
Axial Failure Load	> 160 N
Taper Runout	≤ 1 μm
Motor Type	Brushless DC
Weight (Approx)	9 kg
Body Diameter (nominal)	80 mm
Vibration with wheelmount	< 0.2 mm/s
Vibration w/o wheelmount	< 0.1 mm/s

- SUPPORTS UP TO A 3" BLADE.
- RANGE OF HUBLESS BLADE HUBS AVAILABLE TO SUIT 40MM BLADE I/D.
- WHELMOUNT TO SUIT HUBBED BLADES AVAILABLE.
- FLEXIBLE MOTOR TYPE: 1.2 / 1.6 / 1.9 KW, MOTOR SELECTION – ALL IN ONE SPINDLE HOUSING.
- ENHANCED STRUCTURAL RIGIDITY.
- ENHANCED BRUSH LIFE.
- INTEGRAL SHAFT LOCK FOR EASY BLADE REPLACEMENT.



REAR VIEW OF SPINDLE



Tel: +44 (0) 1202 894447
Web: www.loadpoint.co.uk